

SUPER CAPACITOR

SC1735-10F Brief Datasheet

1, BASIC SPECIFICATION:

Model	SC1735	
Nominal Capacity	20F	
Capacity tolerance	-20%~+80%	
Nominal voltage	2.5V	
Open voltage	2.8V	
ESR	ESR AC(1kHz)	≤20 mohms
	ESR DC(1.5A)	≤35 mohms
Size	φ 16mm x 32mm	
Net weight	8.0g	
Working temperature	-40℃~+70℃	
High temperature performance with loading	After continuously working for 1000 hours at 70℃	
	ΔC	≤30% of initial value
	IL	≤ 200% of ruled value
	ESR	≤ 400% of rules value
High temperature performance without loading	After continuously working for 1000 hours at 70℃	
	ΔC	≤30% of initial value
	IL	≤ 200% of ruled value
	ESR	≤ 400% of rules value
Humidity-resistance performance	After continuously works for 1000 hours at 40℃ and 90-95%RH	
	ΔC	≤30% of initial value
	IL	≤ 200% of ruled value
	ESR	≤ 400% of rules value
Cycle life	Repeat charge and discharge for 100000 cycles at 25℃	
	ΔC	≤30% of initial value
	ESR	≤ 400% of rules value

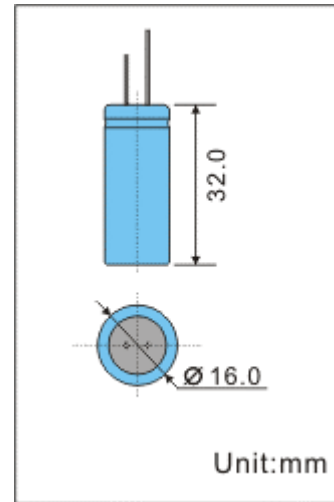
Note: Any representations in this brochure concerning performance, are for informational purposes only and are not construed as warranties either expressed or implied, of future performance.

<http://eemb.com>

global@eemb.com

2. WARNING!

- * Do not overcharge, force discharge, short-circuit, disassemble, deform, heat or place the capacitor near a direct flame. Any of the above actions could cause it to ignite, explode or become damaged.
- * Keep this capacitor out of the reach of children.



Note: Any representations in this brochure concerning performance, are for informational purposes only and are not construed as warranties either expressed or implied, of future performance.

<http://eemb.com>

global@eemb.com