

SUPER CAPACITOR

SC2H621L-1.0F Brief Datasheet

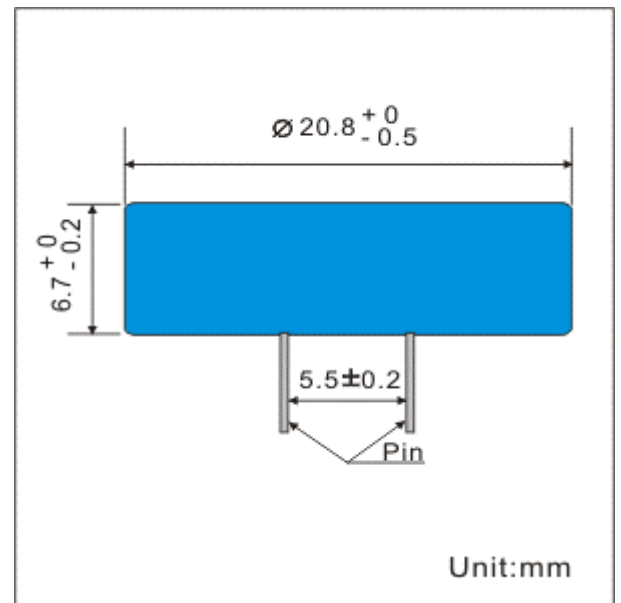
1, BASIC SPECIFICATION:

Items		Characteristic	
		Standard	Test condition
1.1	Rated capacity	1.0F	The lowest capacity when charge @ 5mA rated, discharge @ 5mA to cut-off voltage 0.1V
1.2	Nominal voltage	5.5V	
1.3	Cut-off voltage	0.1V	
1.4	Equivalent Resistance in series	<30 Ω	Test by instrument of interior resistance (AC1kHz)
1.5	Charge voltage	5.5 ±0.05V	
1.6	Charge time	Rated charge	Approx. 0.5 hour
		Fast charge	Approx. 0.2hour
1.7	Max. charge current	100mA	
1.8	Max. discharge current	100mA	When charge to 5.5V
1.9	Short cut current	Over 180mA	When charge to 5.5V
1.10	Working temperature	charge	-25 - 70°C
		Discharge	-25 - 70°C
1.11	Storage temperature	-20 – +45°C	
1.12	Average Weight	6.05g ±0.2g	
1.13	Max. Size (mm)	Thickness	Diameter
		6.7 ⁺⁰ _{-0.2}	20.8 ⁺⁰ _{-0.5}
1.14	Appearance	There is no defect in the surface, such as crack, change color, leaking or transfiguration	See by naked eyes

Note: Any representations in this brochure concerning performance, are for informational purposes only and are not construed as warranties either expressed or implied, of future performance.

2. WARNING!

- * Do not overcharge, force discharge, short-circuit, disassemble, deform, heat or place the capacitor near a direct flame. Any of the above actions could cause it to ignite, explode or become damaged.
- * Keep this capacitor out of the reach of children.



Note: Any representations in this brochure concerning performance, are for informational purposes only and are not construed as warranties either expressed or implied, of future performance.